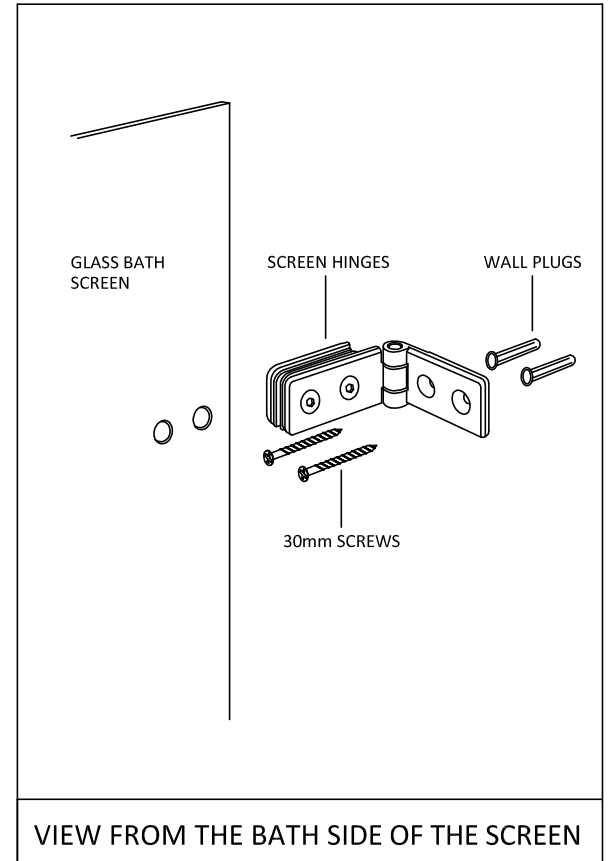
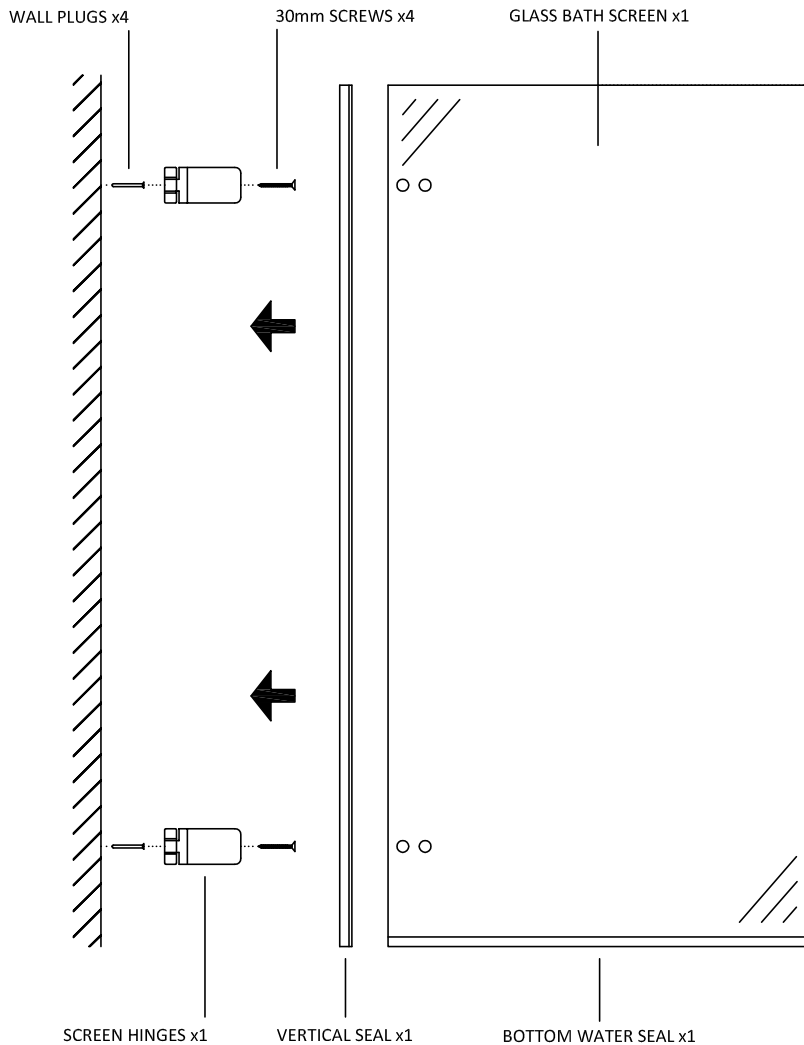


ERSSQ - BATH SCREEN INSTALLATION GUIDE

PACKING LIST: Please carefully check the packing list to ensure that all parts are included before proceeding with the assembly.

GLASS BATH SCREEN	x 1
BATH SCREEN HINGES	x 2
VERTICAL WATER SEAL (1400mm)	x 1
BOTTOM WATER SEAL (765mm)	x 1
WALL PLUGS	x 4
30mm x 4mm SCREWS C/SUNK	x 4



INSTALLATION STEPS:

1. Remove the Allen key screws from the bath screen hinge and locate the hinge onto the glass screen.
2. Replace the Allen key screws and gently tighten.
3. Fit the bottom water seal onto the underside of the glass screen.
4. Position the Bath Screen on the edge of the bath and mark the fixing hole centres on the wall.
5. Remove the bottom water seal from the glass screen at this stage.
6. Using a 4mm masonry drill bit, drill 4 x 35mm deep holes in the marked screw positions on the wall.
7. Insert the 3 x wall plugs into the holes. Using a hammer knock them in until they are flush with the wall.
8. Attach the bath screen hinges to the wall using 4 x 30mm screws supplied.
9. A small amount of adjustment can be made within the hinge by slackening off the Allen key screws, and re-tightening once in the desired position.
10. Re-fit the bottom water seal to lower edge of Screen.
11. Finally, fit the vertical water seal to the inside edge of the glass screen.