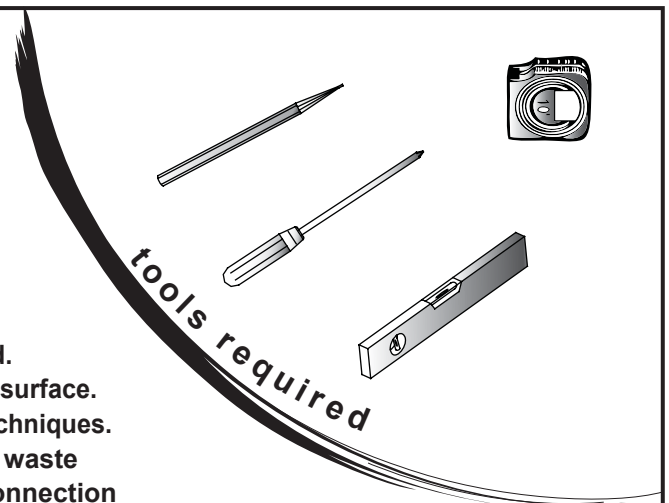


# INSTRUCTION

## Freestanding Bath Installation

- Prior to installation check that all fittings have been supplied.
- Assembled bath on a mat to protect against damage to bath surface.
- This product requires a two person lift - use proper lifting techniques.
- This installation guide does includes recommendation of waste connection; final decision about installation and waste connection should be taken by a suitably qualified person.
- Follow each step in turn.





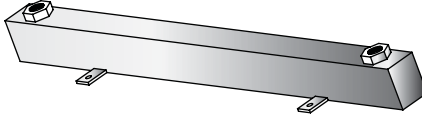


NFB003

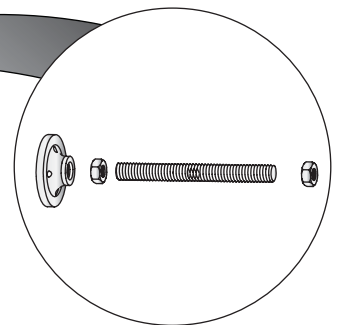
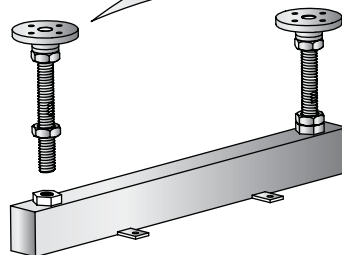
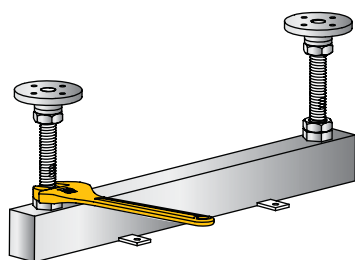


NFB001

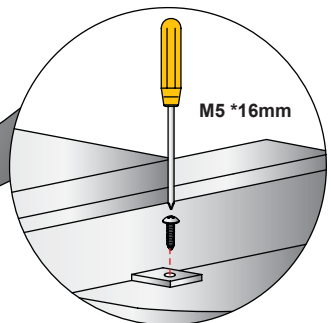
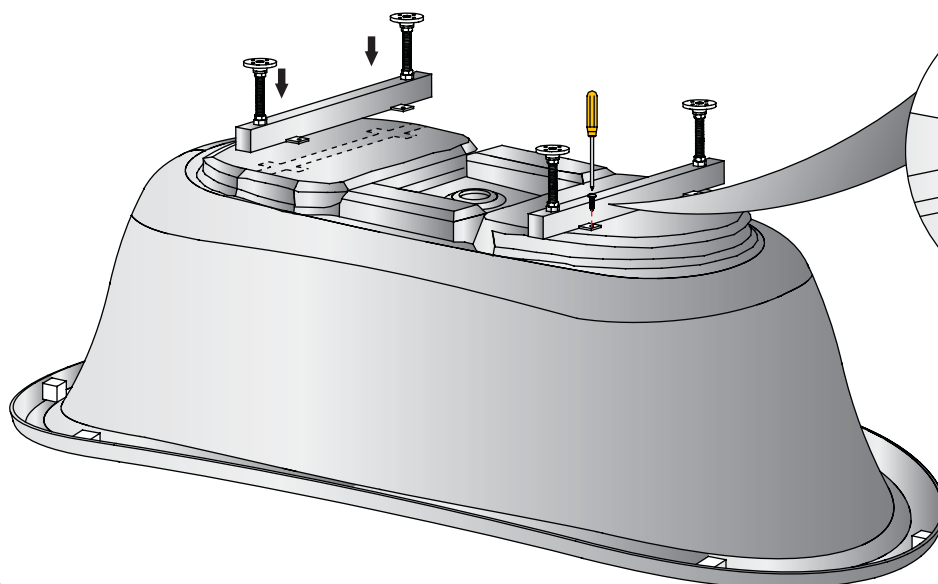
### parts supplied:

 4x	 8x	 M5 *16mm 14x
 4x	 2x	

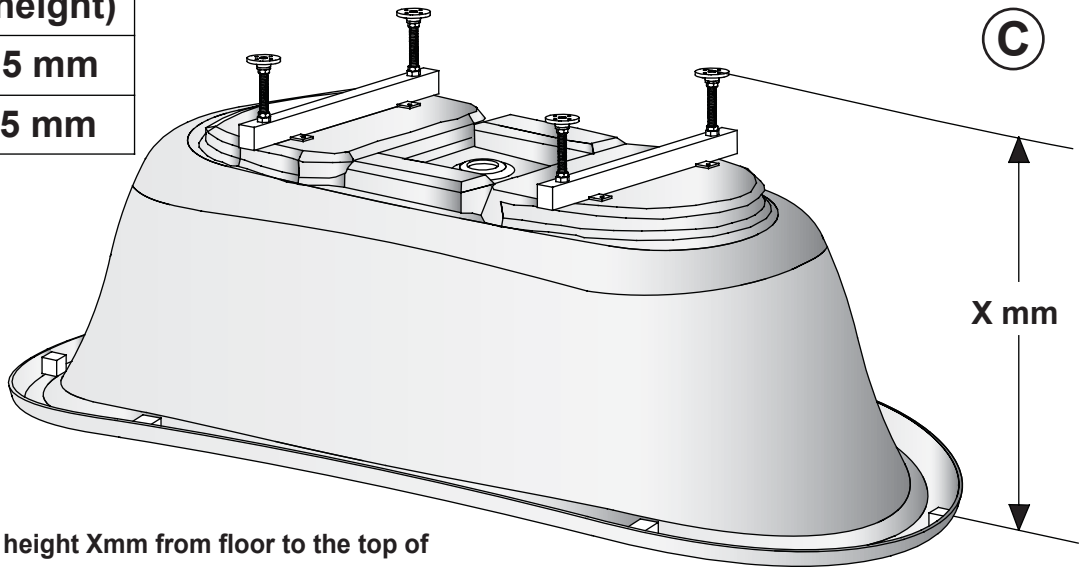
A



B



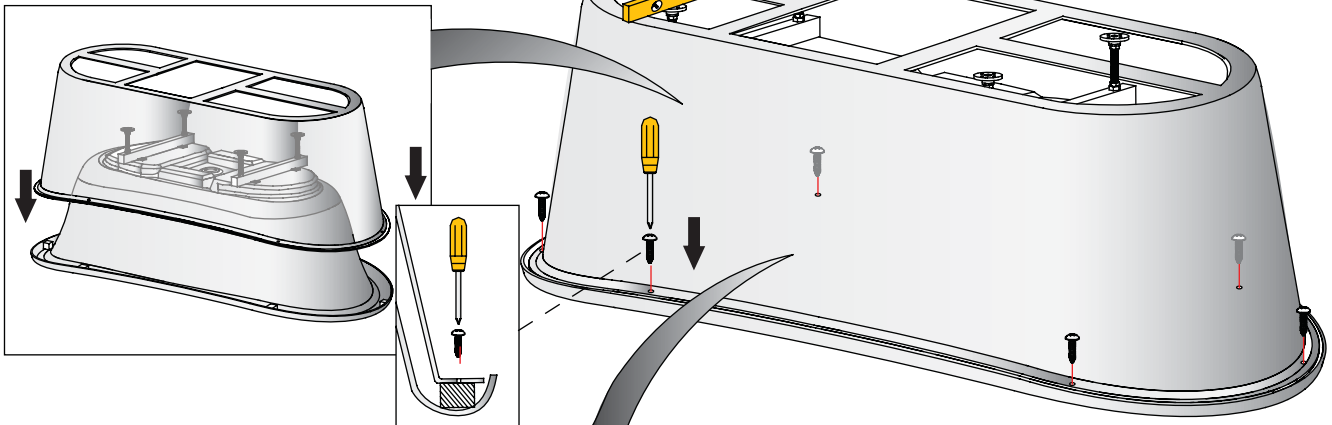
NO.	X (height)
NFB003	715 mm
NFB001	645 mm



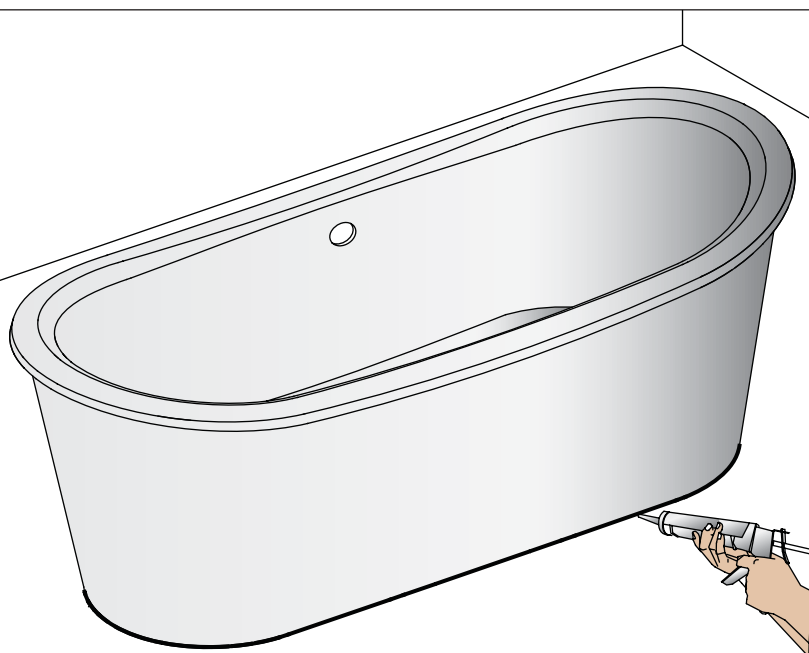
- Set the bath at the height Xmm from floor to the top of the bath rim.

**⚠** Trap, waste and water feed connection should be completed first.

**(D)**



- Install the panel on to the bath and adjust if required to ensure that the bath feet are level with the panel in fitted position.



**(E)**