

INSTRUCTION

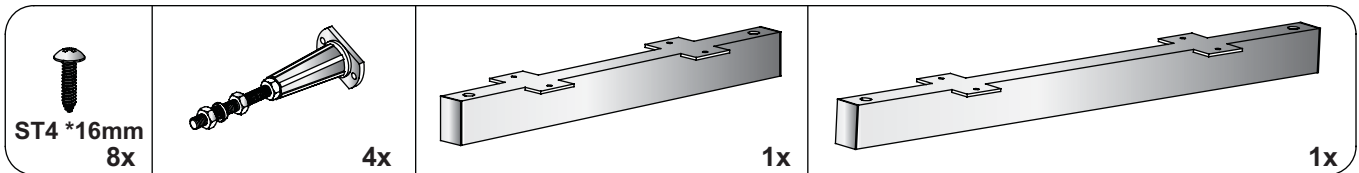
Square Bath Leg Set Installation

tools required

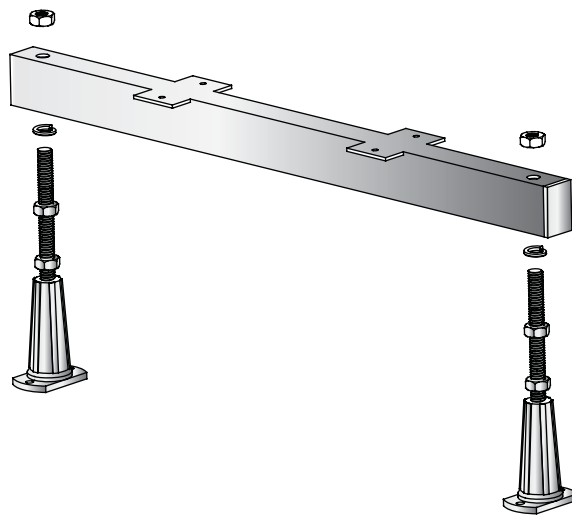
SILICONE

- Prior to installation check that all fittings have been supplied.
- Assembled bath on a mat to protect against damage to bath surface.
- This product requires a two person lift - use proper lifting techniques.
- This installation guide does include recommendation of waste connection; final decision about installation and waste connection should be taken by a suitably qualified person.
- Follow each step in turn.

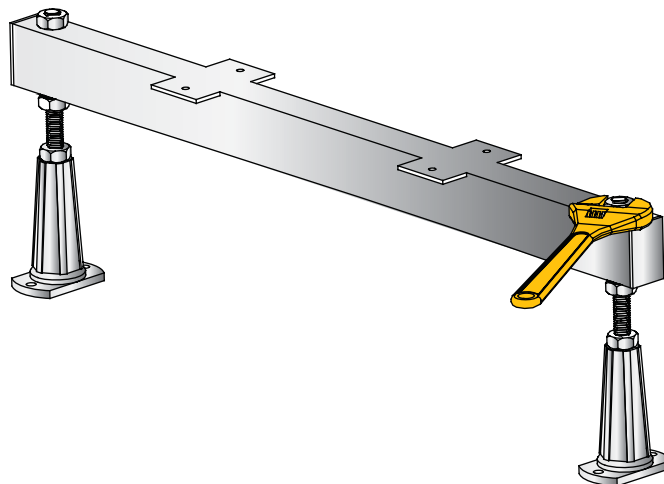
parts supplied:



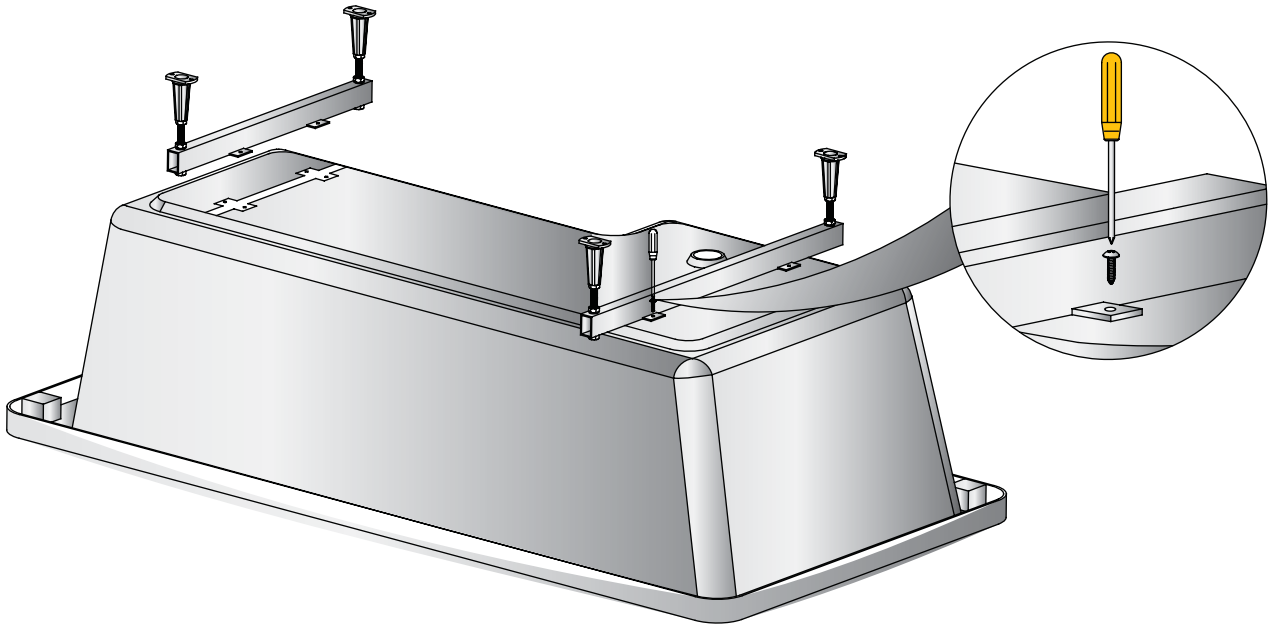
A



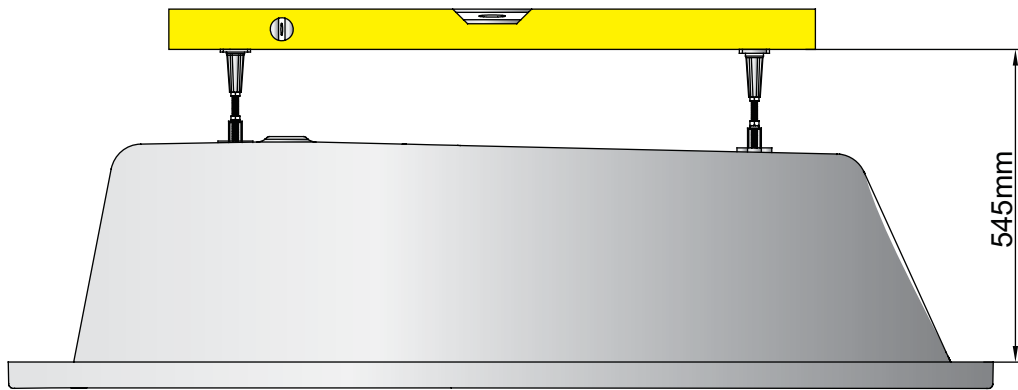
B



C



D



E

