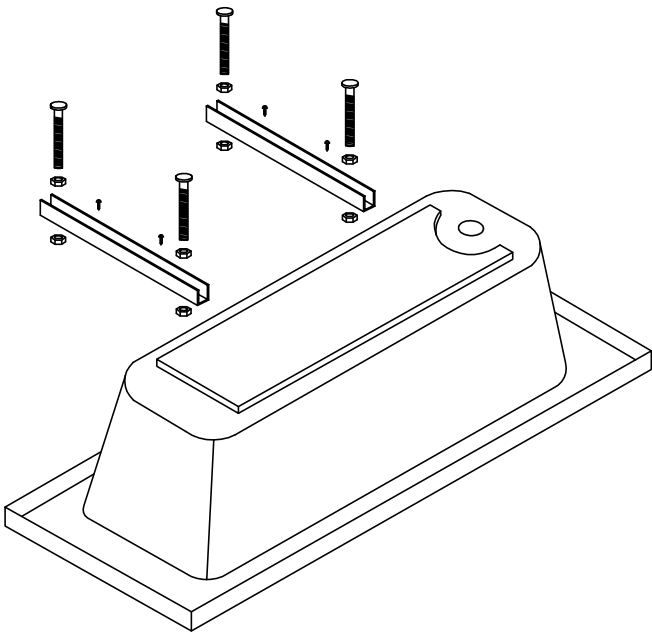
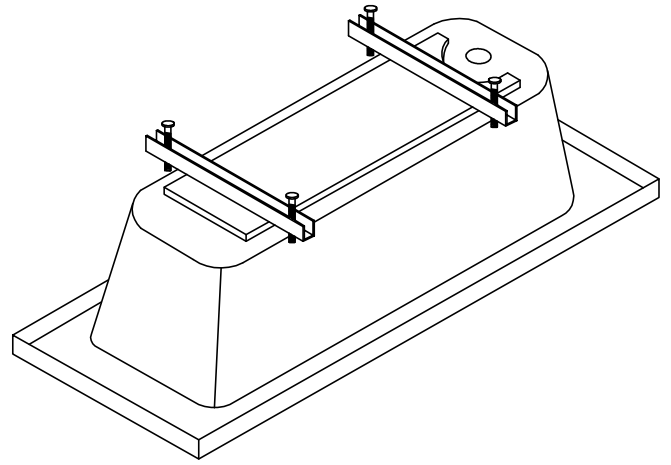


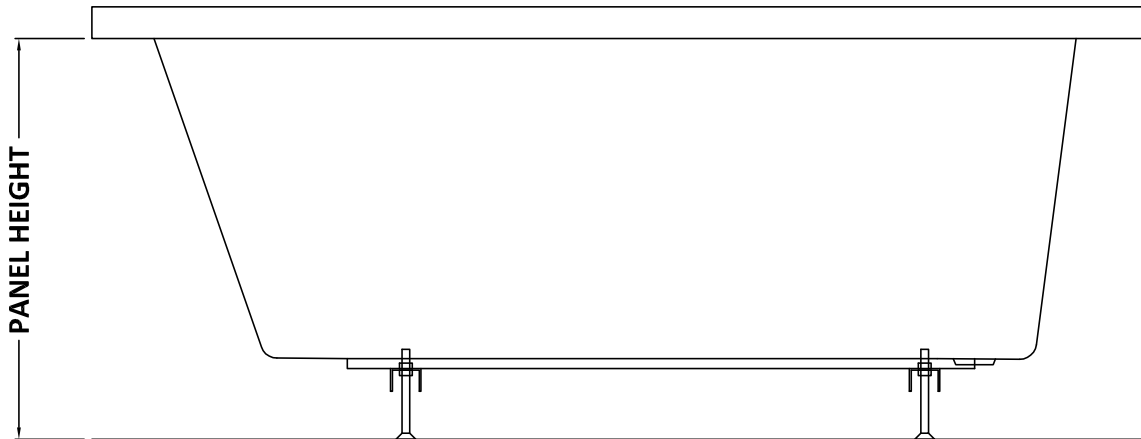
# STANDARD BATH FITTING INSTRUCTION



PARTS LIST	
BATH LEGS	4
FIXING BARS	2
LOCKING NUTS	4
WOOD SCREWS	4



SECURE THE FIXING BARS TO THE BASE BOARD OF THE BATH USING THE WOOD SCREWS. FIT THE BATH FEET THROUGH THE HOLES IN THE FIXING BAR AND SECURE USING THE LOCKING NUTS.



MEASURE THE HEIGHT OF THE BATH PANEL AND SET THE BATH HEIGHT FROM THE FLOOR TO THE UNDERSIDE OF THE BATH RIM TO THIS DIMENSION.

LEVEL THE BATH BY ADJUSTING THE FEET AND TIGHTEN USING THE LOCKING NUTS.

IT IS RECOMMENDED THAT A BATTEN IS FASTENED TO THE WALL SIDES UNDER THE RIM OF THE BATH FOR ADDED SUPPORT.

**NOTE! IT IS THE BATH INSTALLERS RESPONSIBILITY TO CHECK THIS PRODUCT FOR DAMAGE AND DEFECTS BEFORE INSTALLATION. NO CLAIM CAN BE MADE AFTER INSTALLATION.**